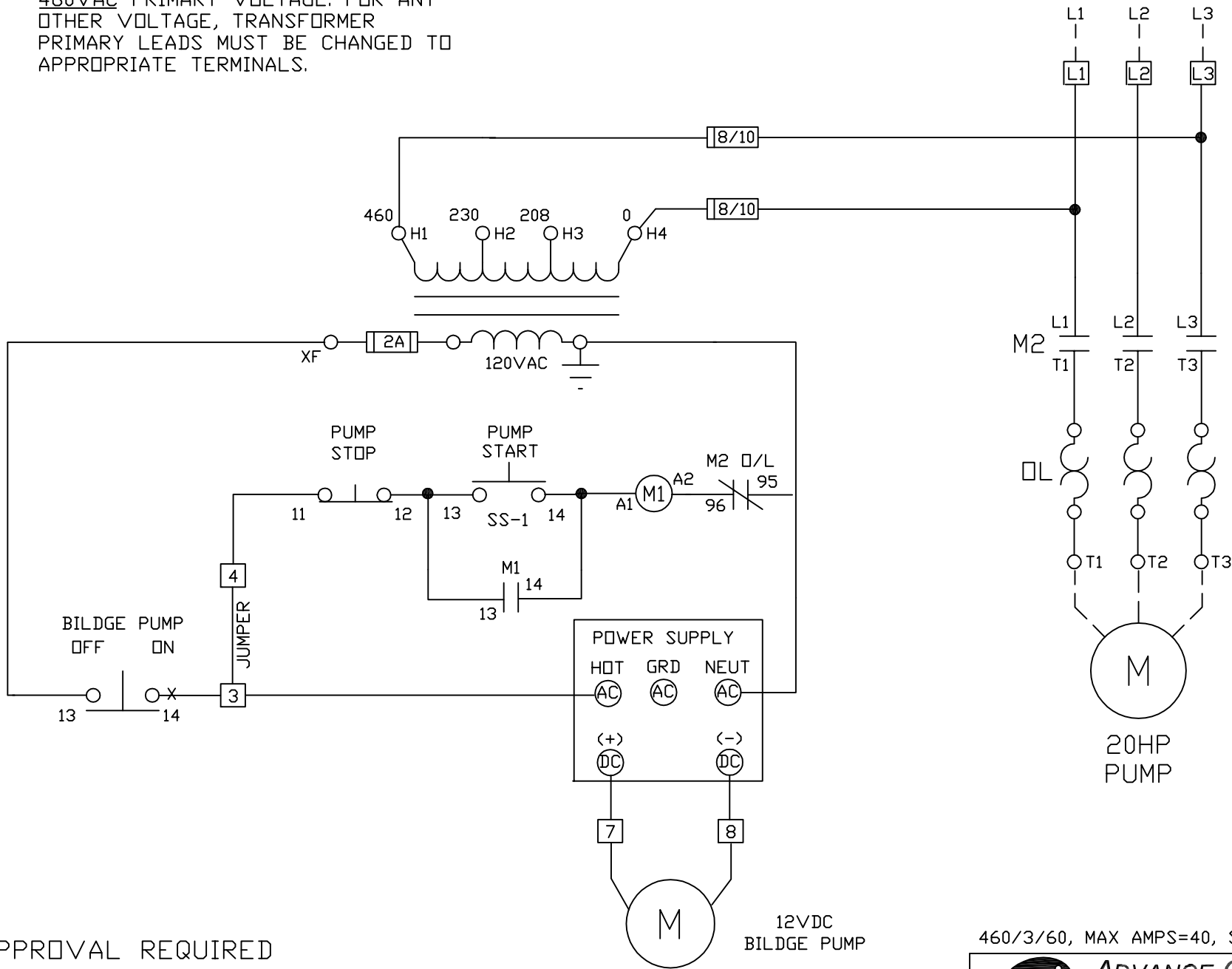


*NOTE: TRANSFORMER CONNECTED FOR 460VAC PRIMARY VOLTAGE. FOR ANY OTHER VOLTAGE, TRANSFORMER PRIMARY LEADS MUST BE CHANGED TO APPROPRIATE TERMINALS.

REVISIONS				
ZONE	REV	DESCRIPTION	DATE	APPROVED



460/3/60, MAX AMPS=40, SCCR 5KA, TYPE 4X



COMBO STARTER 460VAC 3PH 60HZ 20HP
 START/STOP 120VAC CONTROL
 12VDC BILDGE PUMP OFF/ON SWITCH
 TYPE 4X ENCLOSURE (16" X 14" X 10")

APPROVAL REQUIRED

APPROVED BY: _____ DATE: _____

DRAWING FOR REFERENCE ONLY.

ALL WORK TO BE PERFORMED BY QUALIFIED ELECTRICIAN FOLLOWING ALL APPLICABLE CODES. SHORT CIRCUIT PROTECTION MUST BE PROVIDED.

REMOVE SHARP EDGES TOLERANCES UNLESS OTHERWISE NOTED: XX DECIMALS +/- .015 XXX DECIMALS +/- .005	DATE	10-26-10	DRAWING NO.	
	DRAWN	DWR	128937-000-61	REV B
	CHK'D	X		
	APPR'D	X		SHEET
LOCATION	G:\USERS\Engineering\Drawings\AutoCad Drawings\CUSTOMER			